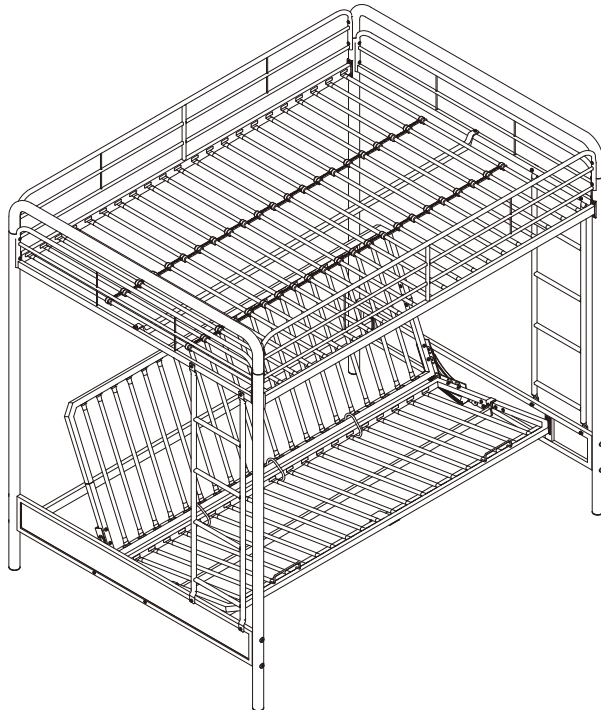


# 4758019(Black)

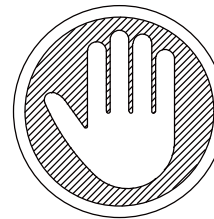
## Metal Bunk Bed

### Full over Futon

Weight Limit: 300 lbs / 136 kg for Upper Bed  
600 lbs / 272 kg for Lower Futon



### Thank you for purchasing from DHP!



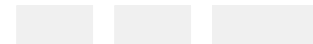
**Questions, concerns, missing parts?  
CONTACT OUR CUSTOMER SERVICE DEPARTMENT  
BEFORE RETURNING PRODUCT TO THE RETAILER.**

If parts are missing or damaged, we will gladly ship your replacement parts free of charge.

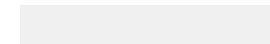
Visit [www.dhpfurniture.com/eng/replacement-parts](http://www.dhpfurniture.com/eng/replacement-parts)  
or call Toll-Free **1-800-267-1739**.

You can also chat with us at [www.dhpfurniture.com](http://www.dhpfurniture.com)

**Date of Purchase**



**Lot Number (TAKEN FROM CARTON)**



A graphic for the DHP Help Center. On the left is a computer monitor displaying a wrench and screwdriver icon. In the center, text reads: "VISIT THE DHP HELP CENTER FOR ASSEMBLY VIDEOS AND MORE! helpcenter.dhpfurniture.com OR SCAN ME TO THERE!". On the right is a QR code with the DHP logo overlaid on it.

**⚠ THIS INSTRUCTION BOOKLET CONTAINS **IMPORTANT** SAFETY INFORMATION. PLEASE READ AND KEEP FOR FUTURE REFERENCE.**

## Limited 1 year Warranty

DHP warrants this product to be free from defects in material and workmanship and agrees to remedy any such defect. This warranty covers one year from the date of original purchase from authorized retailers. This is solely limited to the repair or replacement of defective parts and assembly labor is not included.

This warranty does not apply to any product which has been improperly assembled, subjected to misuse or abuse or which has been altered or repaired in any way. The warranty does not cover wearing, tearing, fading or splitting of the fabric (where applicable). Liability for consequential damages is excluded to the extent exclusion is permitted by law. This warranty gives you specific legal rights and you may also have other rights which vary from state to state or province to province.

To obtain warranty service, purchaser must present original bill of sale. Components repaired or replaced are warranted through the remainder of the original warranty period only. The defective components will be repaired or replaced without charge, subject to the terms and conditions described above.

The terms and conditions of the limited warranty are subject to change without notice. For the latest warranty policy, please visit [www.dhpfurniture.com](http://www.dhpfurniture.com).

## Contact Us!

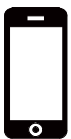
For help with assembly, identifying parts, product information or to order parts, please contact us:



[www.dhpfurniture.com](http://www.dhpfurniture.com)



[cs@dhpfurniture.com](mailto:cs@dhpfurniture.com)



1-800-267-1739

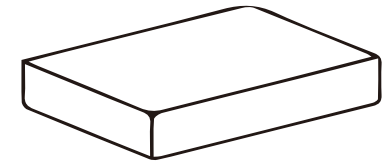
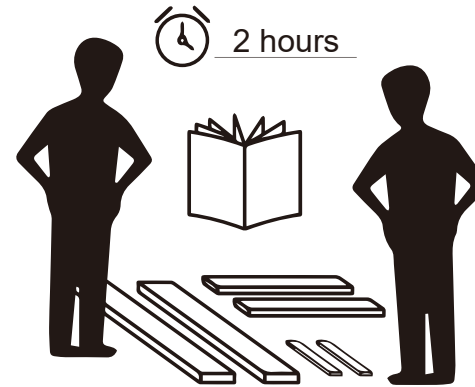


**DHP Consumer Services**

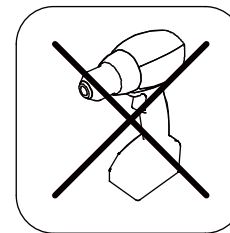
12345 Albert Hudon, Suite 100,  
Montreal, Quebec H1G 3L1

## Read Before Beginning Assembly

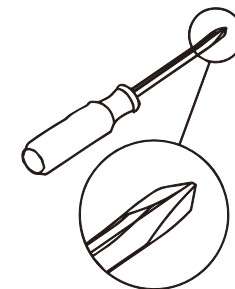
- Work in a spacious area and near where the unit will be used, preferably on a carpet, or use a piece of the cardboard packaging to protect your floor and product.
- Make sure all parts are included. Most parts are labeled or stamped on the raw edge.
- Read each step carefully. It is very important that each step of the instructions is performed in the correct order. If these steps are not followed in sequence, assembly difficulties will occur.
- This product may contain small components. Please ensure that they are kept away from small children.
- This product is designed for home use and is not intended for commercial use.



This product is shipped in  
**1 carton**



**DO NOT** use  
powertools



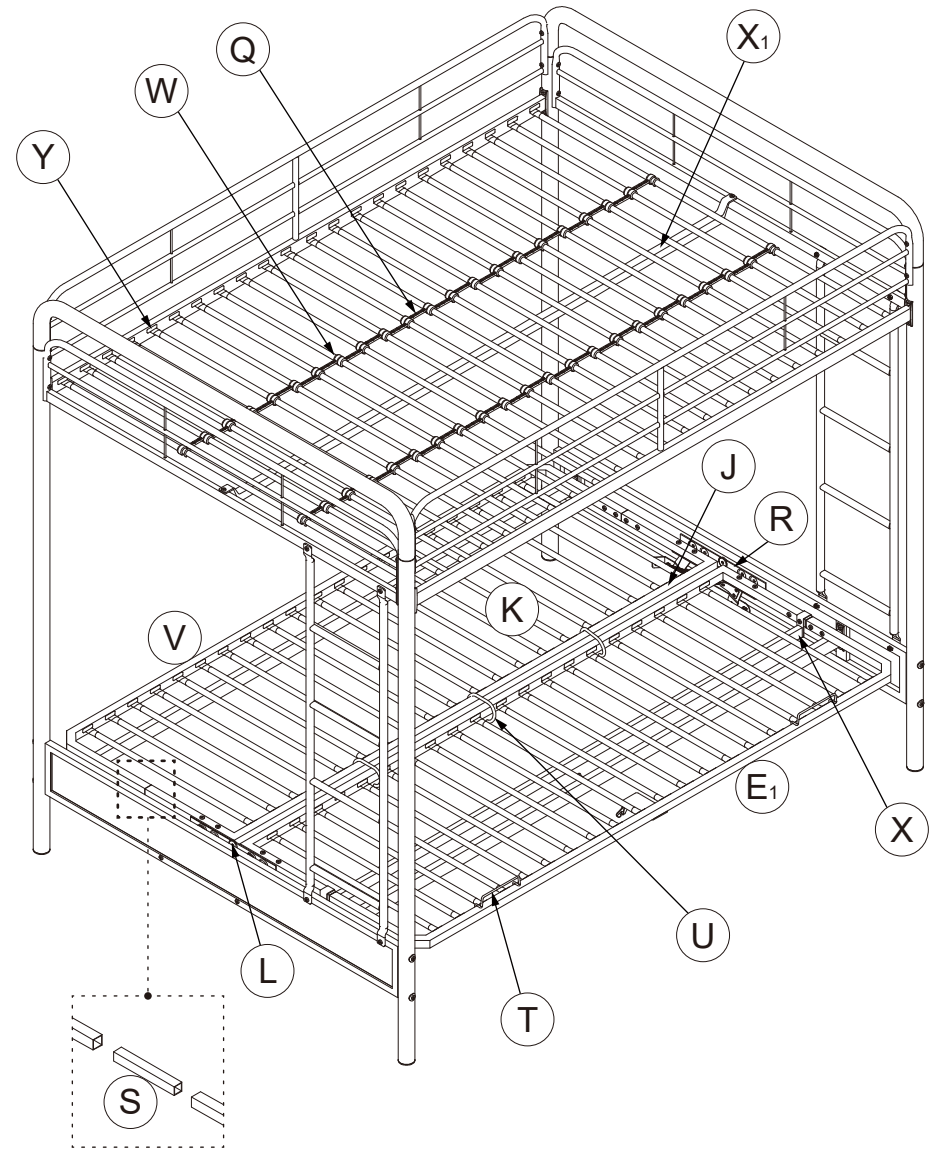
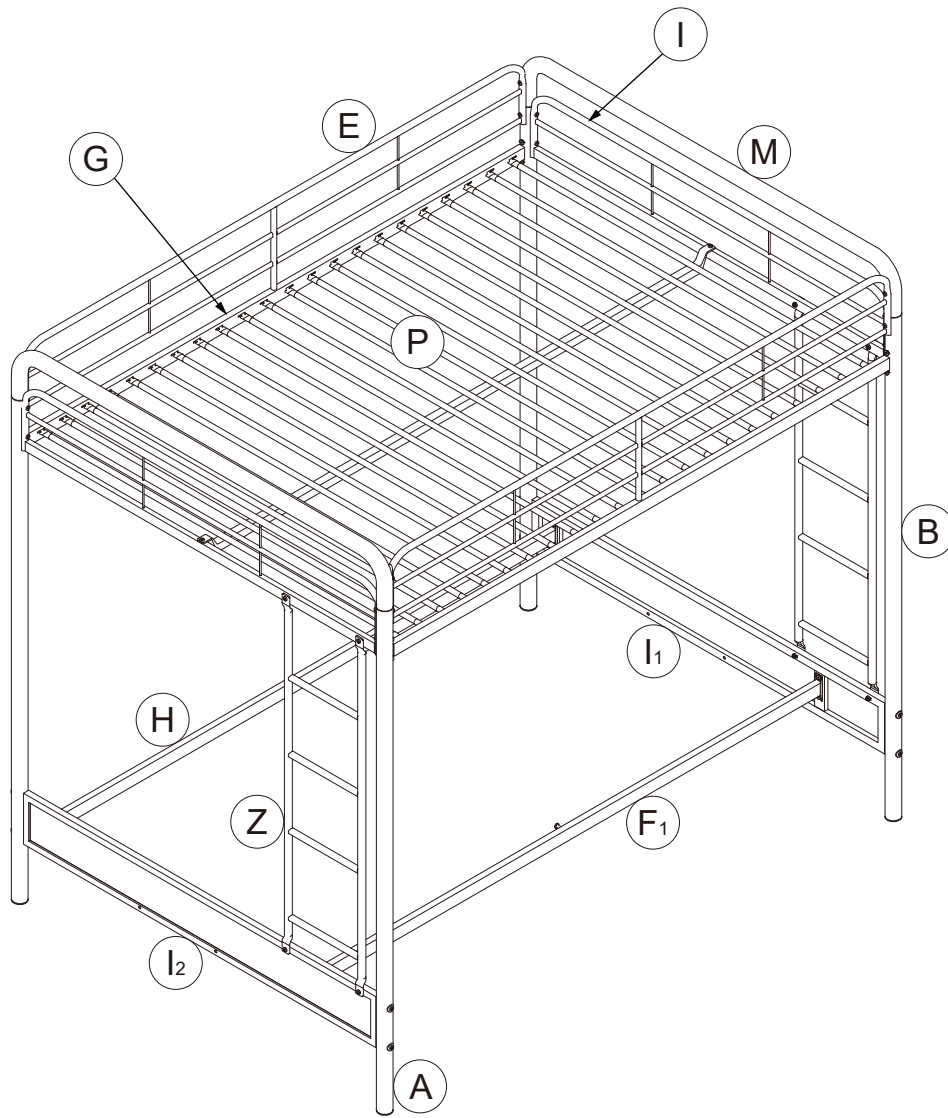
Phillips Headed Screw Driver Is Needed

# **WARNING**



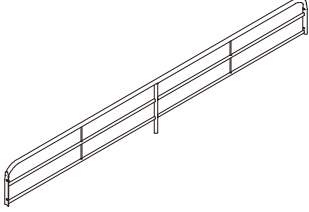
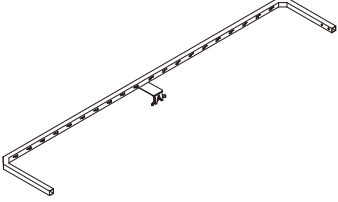
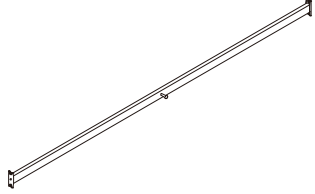
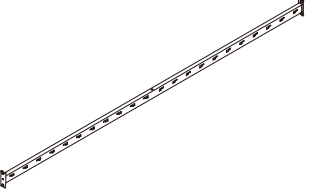
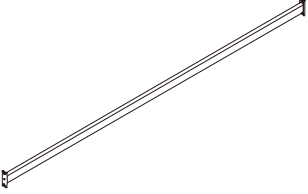
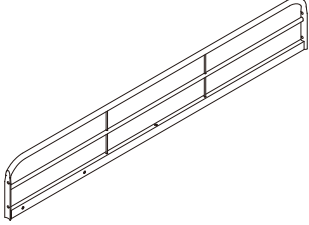
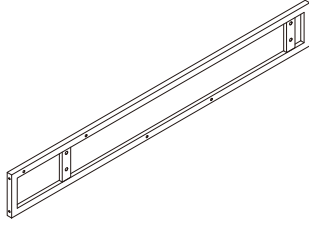
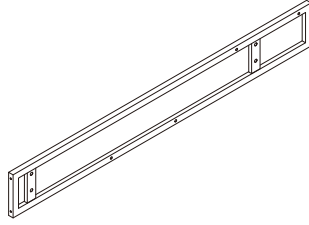
## **Bunk bed: Full**

- **STRANGULATION HAZARD** - Never attach or hang items to any part of the bunk bed that are not designed for use with the bed; for example, but not limited to, hooks, belts and jump ropes.
- Follow the information on the warnings appearing on the upper bunk end structure and on the carton. Do not remove warning label from bed.
- The mattress platform is designed to support a mattress without the need for a posture board or box spring.
- Always use the recommended size mattresses or mattress supports, or both, to help prevent the likelihood of entrapment or falls.
- Use only mattress which is **74"-75"** long and **53"-54"** wide on upper bunk and mattress which is **74"-75"** long and **52"-53"** wide on lower futon. Ensure thickness of mattress does not exceed **6"**. Surface of mattress must be at least **5" (127 mm)** below the upper edge of guardrails. For your comfort, we suggest a minimum mattress thickness of **4"**.
- Do not allow children under **6** years of age to use the upper bunk.
- Always use guardrails on both long sides of the upper bunk. If the bunk bed will be placed next to the wall, the guardrail that runs the full length of the bed should be placed against the wall to prevent entrapment between the bed and wall (applicable for bunk beds with full length guardrails on one side).
- Periodically check and ensure that the guardrail, ladder, and other components are in their proper position, free from damage, and that all connectors are tight.
- Do not allow horseplay on or under the bed and prohibit jumping on the bed.
- Do not use substitute parts. Contact the manufacturer or dealer for replacement parts.
- Replacement parts, including additional guardrails, may be obtained from DHP by contacting customer service at **1-800-267-1739**.
- Use of a night light may provide added safety precaution for a child using the upper bunk.
- The use of water or sleep flotation mattresses is prohibited.
- Always use the ladder for entering and leaving the upper bunk.
- Prohibit more than one person on upper bunk.
- Keep these instructions for future reference.



# PARTS LIST



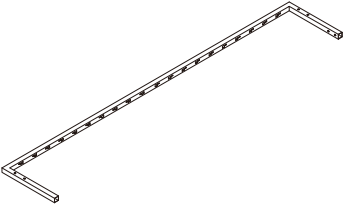
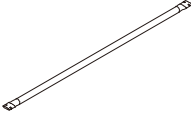
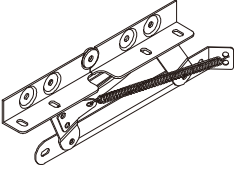
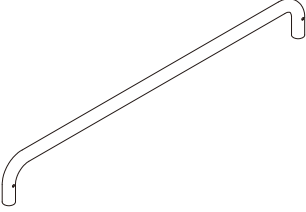
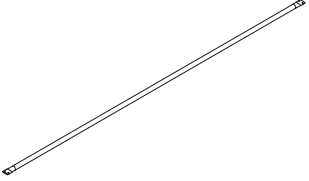
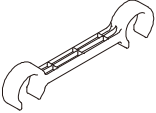
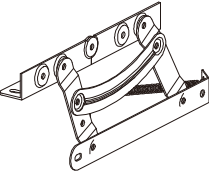
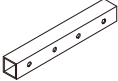


# PARTS LIST

				
<p>Post 2 PCS</p>	<p>Post 2 PCS</p>	<p>Guard Rail 2 PCS</p>	<p>Lower Bed Frame 1 PC</p>	<p>Front Rail 1 PC</p>
				
<p>Side Guard Rail 2 PCS</p>	<p>Rear Rail 1 PC</p>	<p>Side Guard Rail 2 PCS</p>	<p>Lower Guard Rail 1 PC</p>	<p>Lower Guard Rail 1 PC</p>


PART NUMBERS	
PART LABELS	4758019 (Black)
A	T4758019010CV
B	T4758019020CV
E	T608900
E <sub>1</sub>	T961210
F <sub>1</sub>	T615980
G	T922120
H	T605490
I	T4758019030CV
I <sub>1</sub>	T4758019040CV
I <sub>2</sub>	T4758019050CV


-  Each part has unique part number. Please reference the appropriate part number when contacting customer service for replacement parts.
-  Before throwing any packaging, please verify all contents and make sure you have received all the parts listed above!

# PARTS LIST

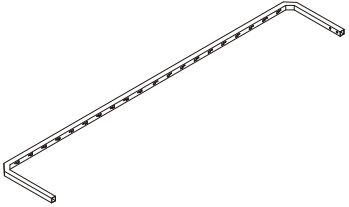

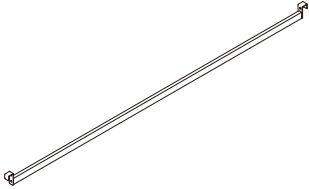
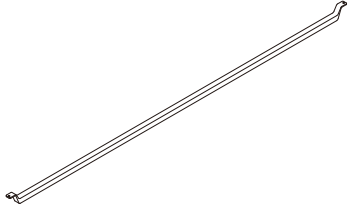
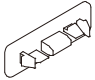
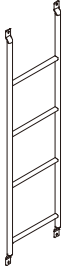
				
<p>Lower Bed Frame 2 PCS</p>	<p>Lower Slats 40 PCS</p>	<p>Mechanism 1 PC</p>	<p>Post Connector 2 PCS</p>	<p>Upper Slat 22 PCS</p>
				
<p>Slats Spacers 42 PCS</p>	<p>Mechanism 1 PC</p>	<p>Bottom Frame Connector 4 PCS</p>	<p>Mattress Retainer 2 PCS</p>	<p>Hook 3 PCS</p>

PART NUMBERS	
PART LABELS	4758019 (Black)
J	T919770
K	T919780
L	T605570
M	T4758019060CV
P	T919610
Q	T919490
R	T605560
S	T608960
T	T961180
U	T391180



 Each part has unique part number. Please reference the appropriate part number when contacting customer service for replacement parts.

 Before throwing any packaging, please verify all contents and make sure you have received all the parts listed above!

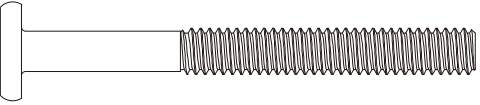
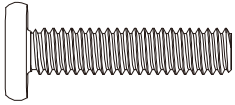
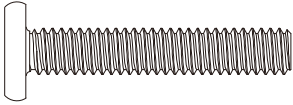
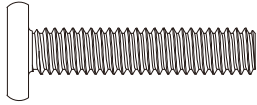
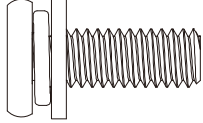
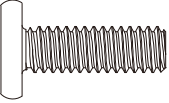

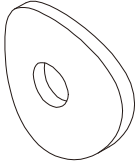
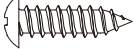
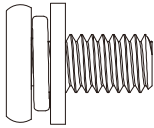

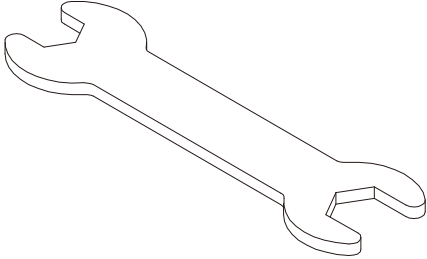
## PARTS LIST

				
<b>V</b> Lower Bed Frame 1 PC	<b>W</b> Slats Spacers 44 PCS	<b>X</b> Transversal Brace 1 PC	<b>X<sub>1</sub></b> Brace 1 PC	<b>Y</b> Plastic Plug 124 PCS
				
<b>Z</b> Ladder 2 PCS				

PART NUMBERS	
PART LABELS	4758019 (Black)
V	T919760
W	T919480
X	T929010
X <sub>1</sub>	T964010
Y	T392590
Z	T614270

-  Each part has unique part number. Please reference the appropriate part number when contacting customer service for replacement parts.
-  Before throwing any packaging, please verify all contents and make sure you have received all the parts listed above!

# HARDWARE LIST

<p>1</p> 	<p>2</p> 	<p>3</p> 	<p>4</p> 	<p>5</p> 		
<p>1/4" X 2 3/8" Bolt 10 PCS</p>	<p>1/4" X 1 1/16" Bolt 4 PCS</p>	<p>1/4" X 1 3/8" Bolt 8 PCS</p>	<p>1/4" X 1 3/16" Bolt 8 PCS</p>	<p>5/16" X 7/8" Bolt 8 PCS</p>		
<p>6</p> 	<p>7</p> 	<p>8</p> 	<p>9</p> 	<p>10</p> 	<p>11</p> 	<p>12</p> 
<p>1/4" X 3/4" Bolt 34 PCS</p>	<p>1/4" Nut 20 PCS</p>	<p>1/4" Washer 8 PCS</p>	<p>#8 X 9/16" Screw 4 PCS</p>	<p>5/16" X 5/8" Bolt 8 PCS</p>	<p>4mm L-Allen Key 1 PC</p>	<p>Wrench 1 PC</p>

## Hardware Pack

4758019(Black)

■ HP#: 247580190CV

**!** Please do not completely tighten all the hardware, until the entire assembly is complete, unless otherwise indicated in the step-by-step instructions.

**!** The screw(s), bolt(s) to be used at each step are shown in actual size in the lower right corner of the page.

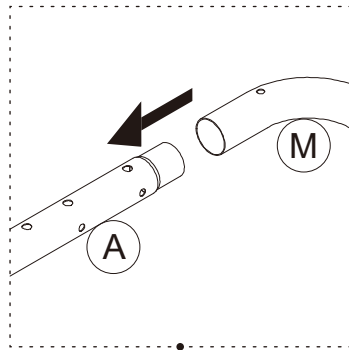


# Step 1

1.1 Attach **M** to **A** & **B**.

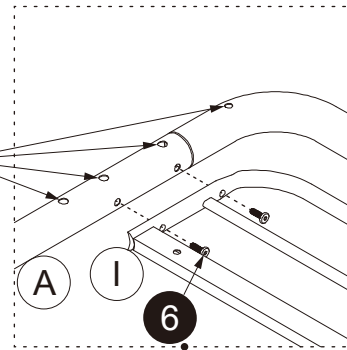
1.2 Attach **I** to **A** & **B** with **6**.

1.3 Attach **I<sub>2</sub>** to **A** & **B** with **1** and **8**.

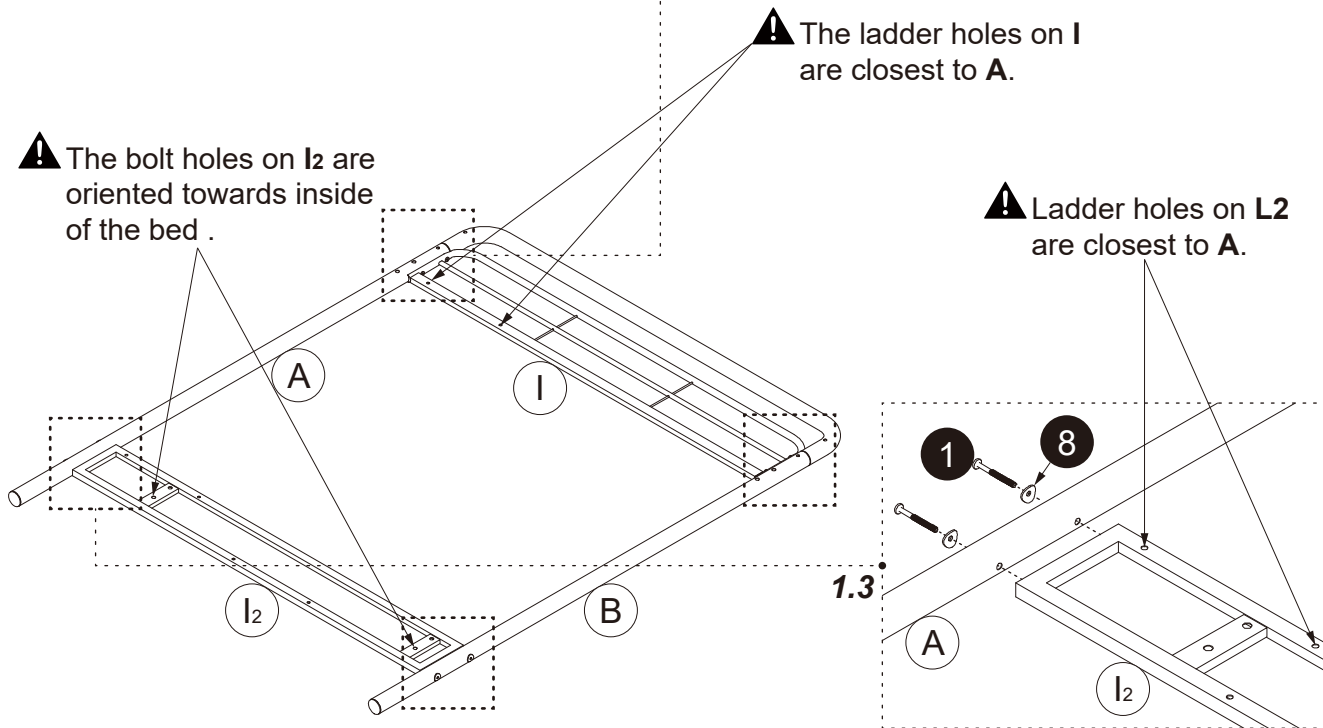


1.1

⚠ Make sure the holes on **M** and **A** & **B** are at the same side.



1.2

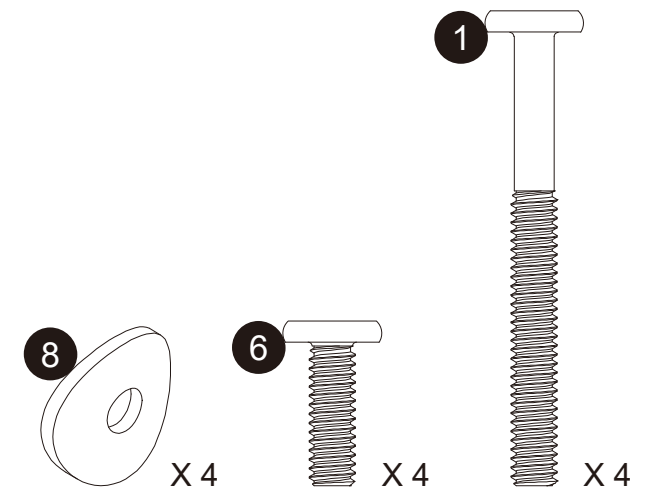


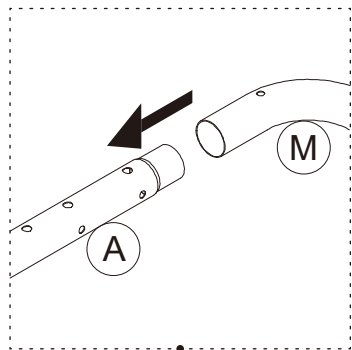
1.3

⚠ The bolt holes on **I<sub>2</sub>** are oriented towards inside of the bed.

⚠ The ladder holes on **I** are closest to **A**.

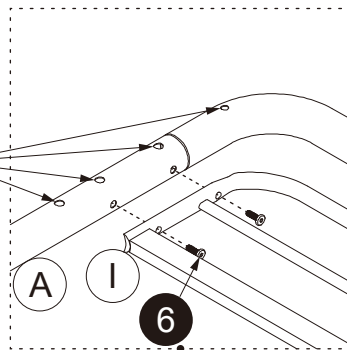
⚠ Ladder holes on **L2** are closest to **A**.





2.1

⚠ Make sure the holes on **M** and **A & B** are at the same side.



2.2

# Step 2

2.1 Attach **M** to **A & B**.

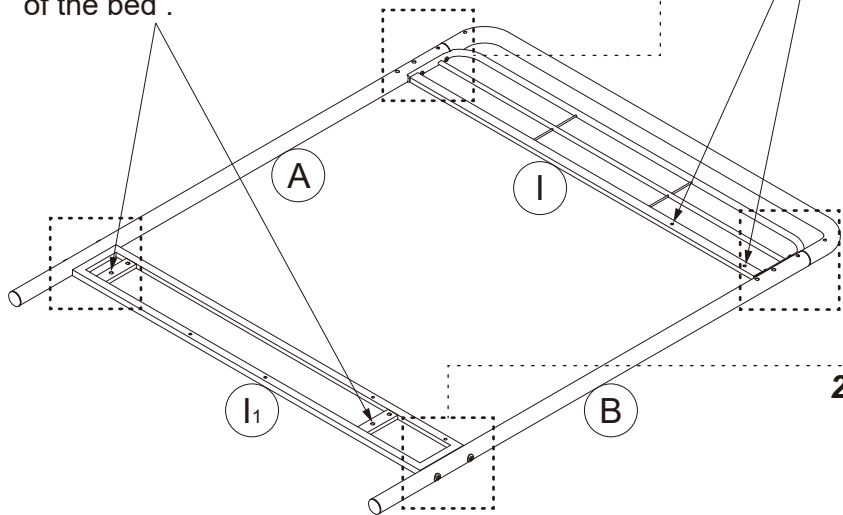
2.2 Attach **I** to **A & B** with **6**.

2.3 Attach **I1** to **A & B** with **1** and **8**.

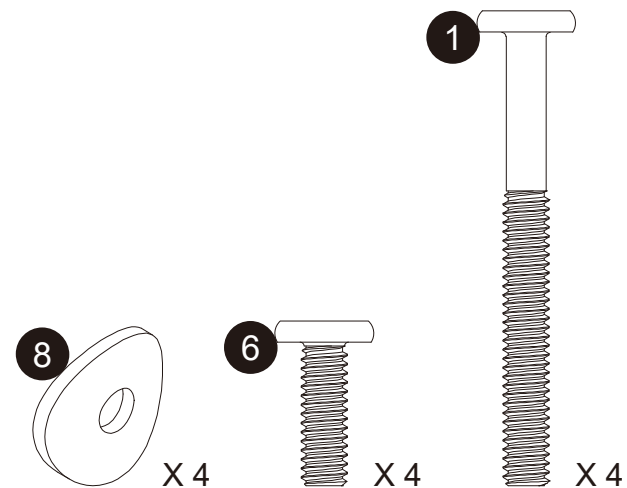
⚠ The bolt holes on **I1** are oriented towards inside of the bed .

⚠ The ladder holes on **I** are closest to **B**.

⚠ Ladder holes on **L1** are closest to **B**.



2.3

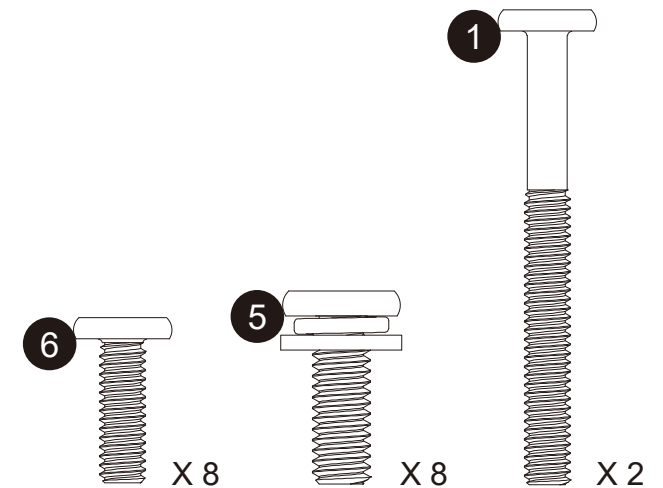
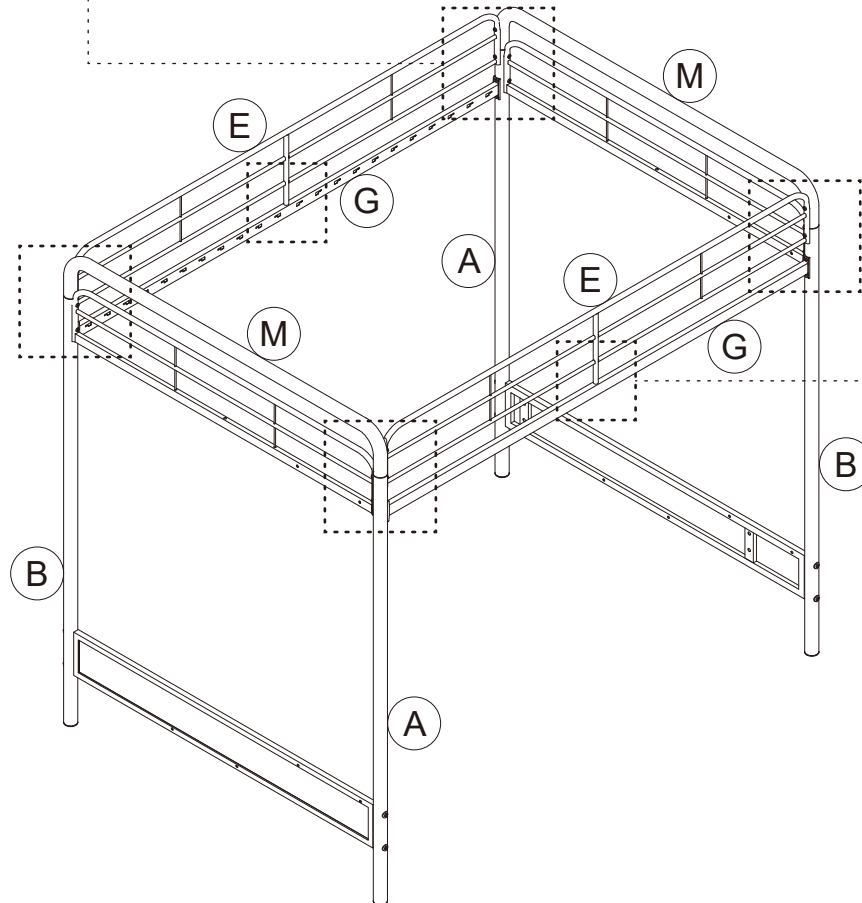
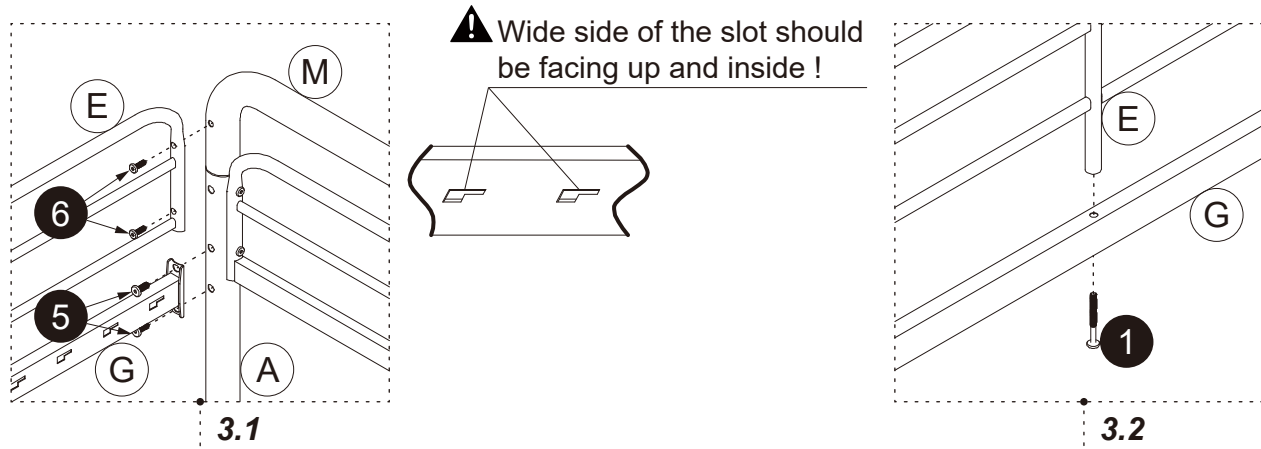


# Step 3

3.1 Attach **G X 2** to **A & B** with **5**.

Attach **E X 2** to **A & B** and **M** with **6**.

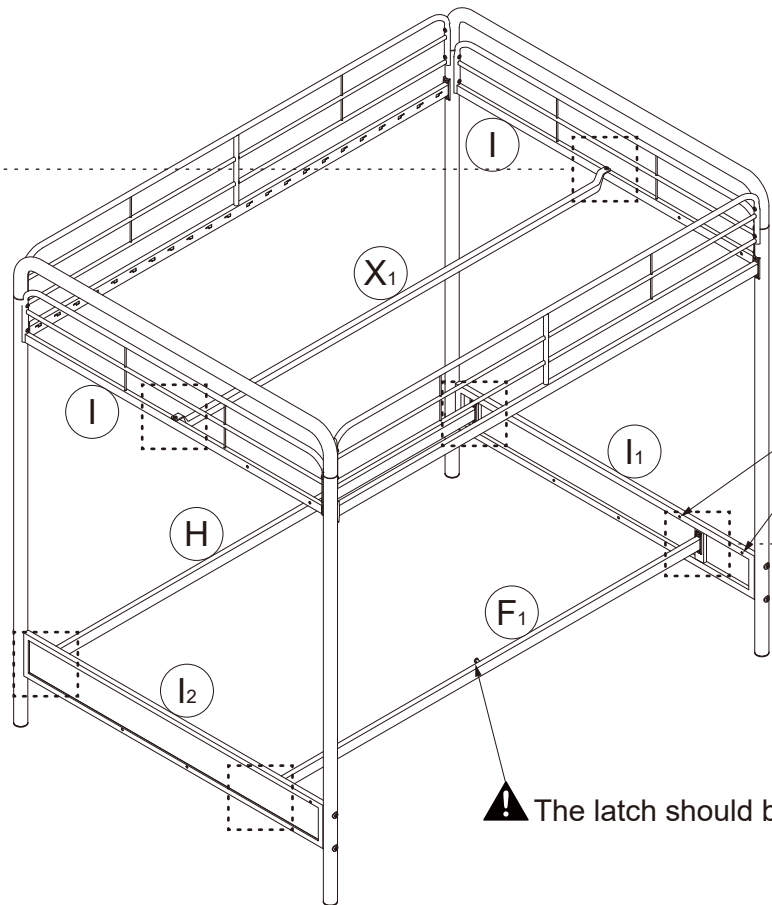
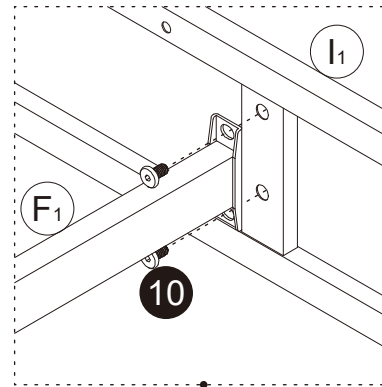
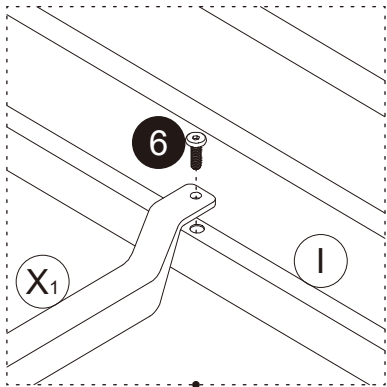
3.2 Secure **E X 2** to **G X 2** with **1**.



# Step 4

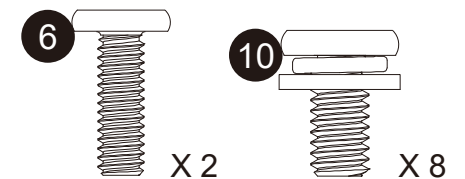
Attach **X<sub>1</sub>** to **I X 2** with **6**.

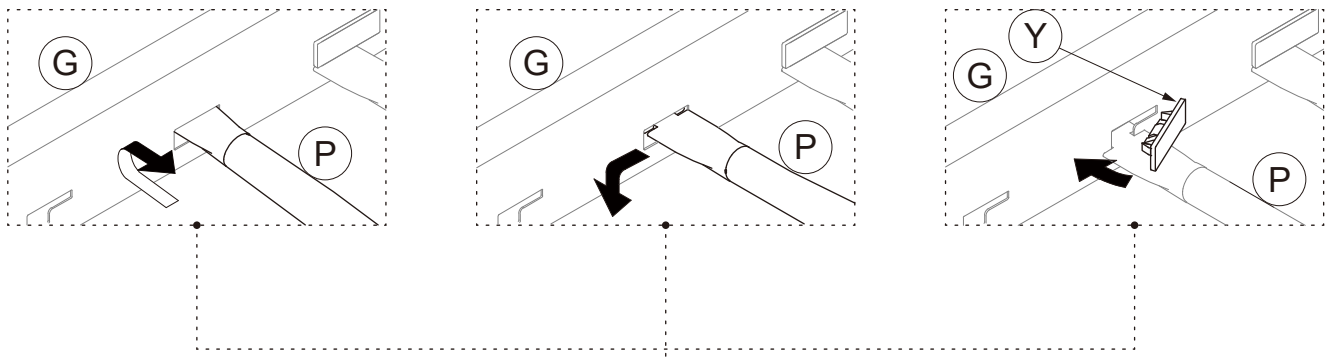
Attach **H** & **F<sub>1</sub>** to **I<sub>1</sub>** & **I<sub>2</sub>** with **10**.



**!** NOTE: Part **F<sub>1</sub>** must be assembled in front side of the bed where the ladder holes on **I<sub>1</sub>** & **I<sub>2</sub>** are closest !

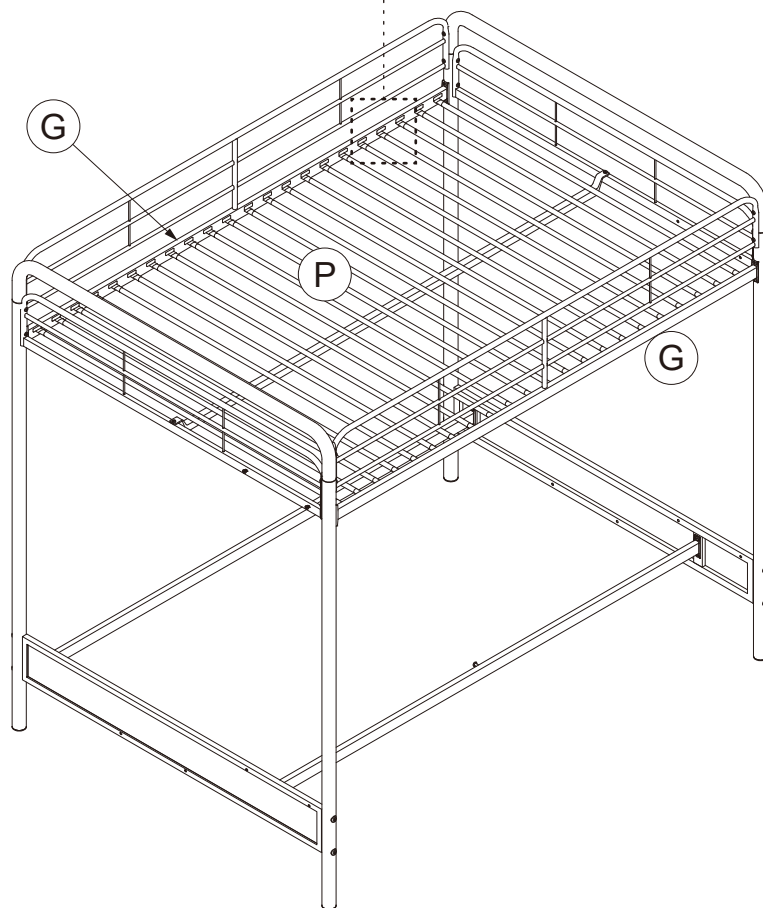
**!** The latch should be inside !

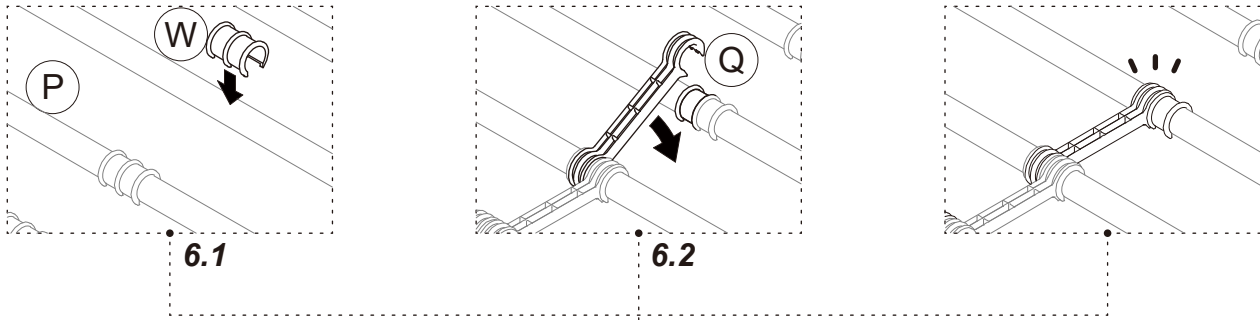




# Step 5

Insert **P** into **G** on upper bed, then lock **P** in-place with **Y**.



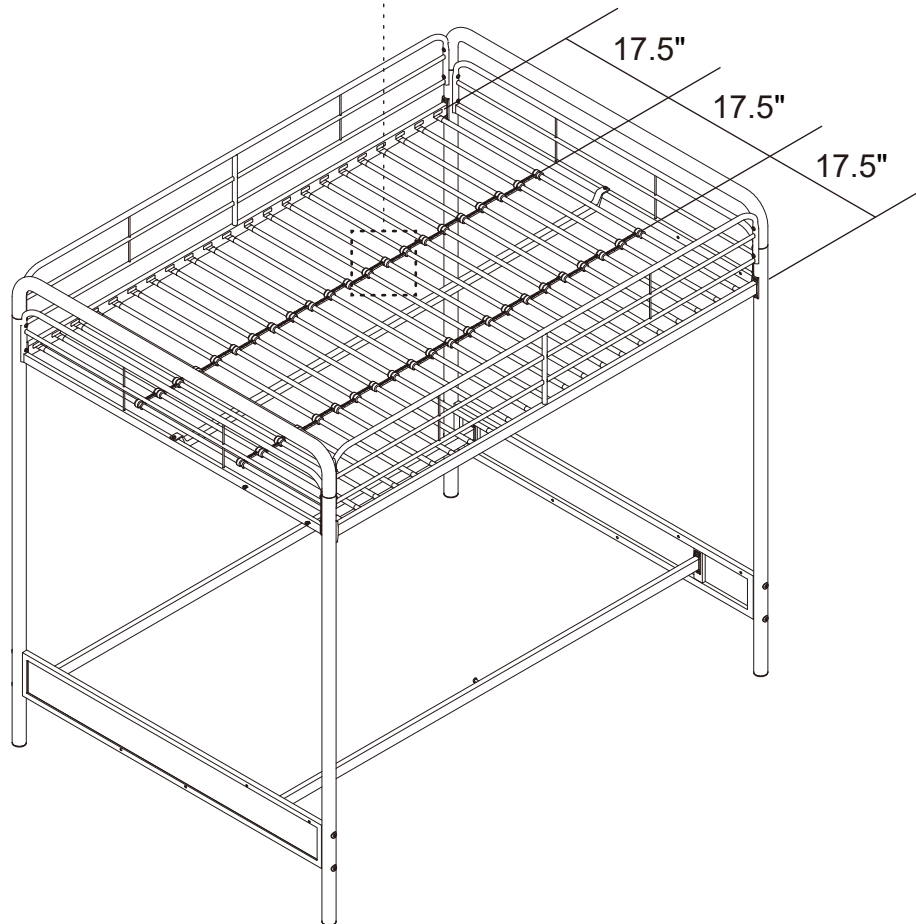


# Step 6

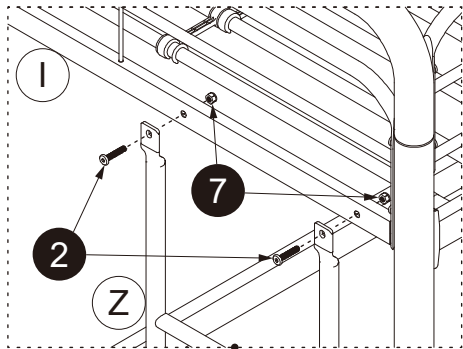
**6.1** Attach **W** onto **P** as positioned in illustration.

**6.2** Attach **Q** to **W** alternating left and right.

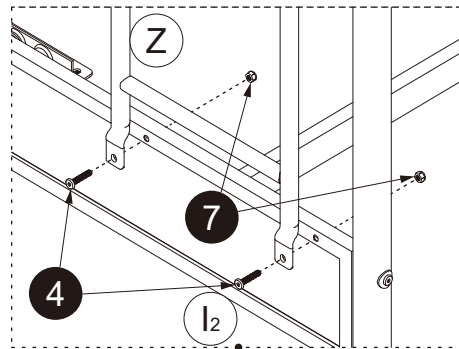
**⚠** For better performance, attach the Slat Spacers **Q** at equal spaces.  
(Approximately = 17.5 inches or 445 mm).



# Step 7



7.1

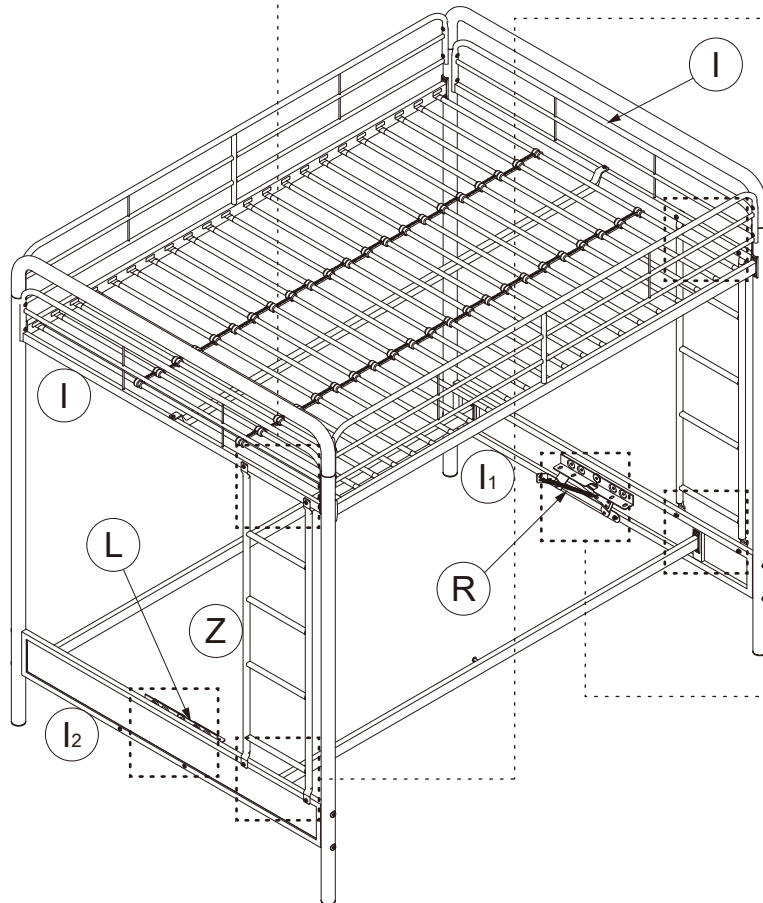


7.2

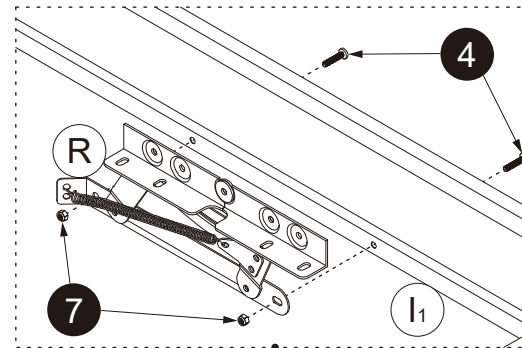
7.1 Attach upper side Z X 2 to I X 2 with 2 and 7.

7.2 Attach lower sides of Z X 2 to I1 and I2 with 4 and 7.

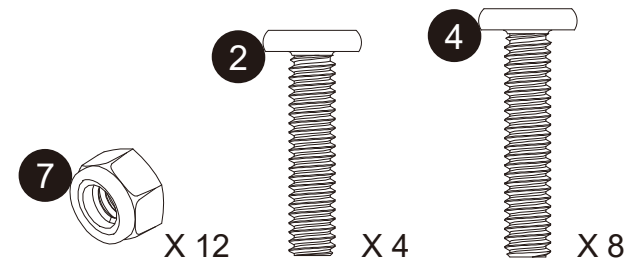
7.3 Attach L & R to I1 & I2 with 4 and 7.



⚠ For your safety, please ensure L & R are mounted on corresponding location as specified in drawing.



7.3

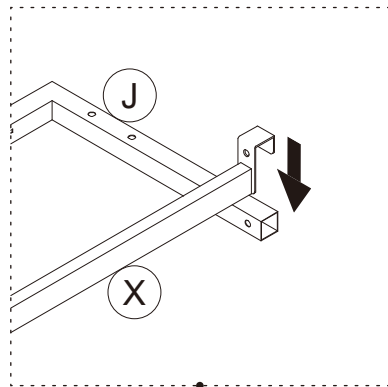


# Step 8

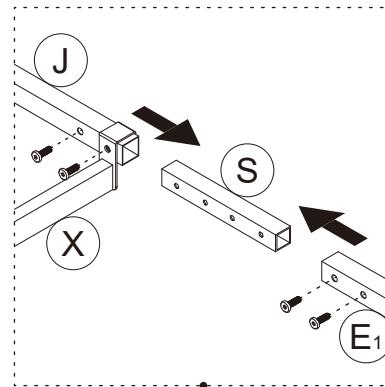
For **SEAT FRAME**

**8.1** Attach **X** to **J**.

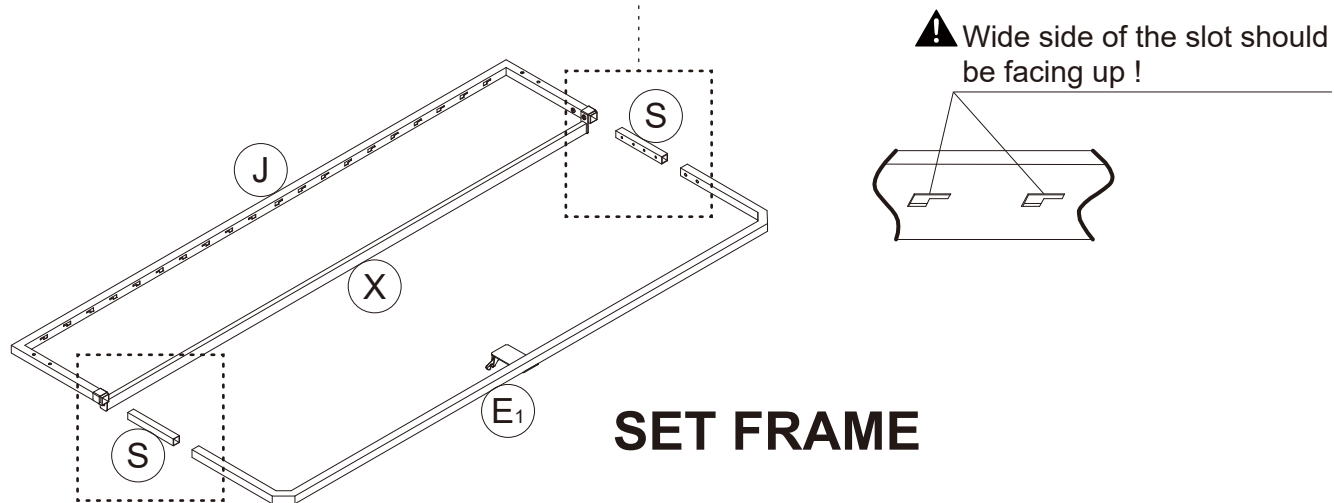
**8.2** Join **J** & **E<sub>1</sub>** with **S** and fasten with **6**.



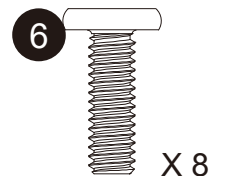
**8.1**



**8.2**



**SET FRAME**

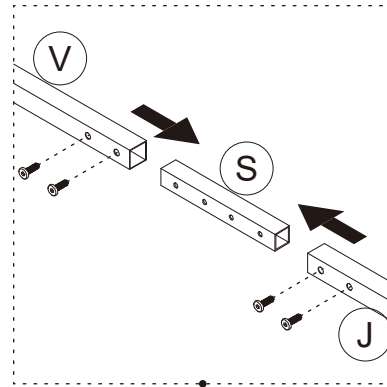




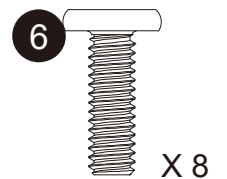
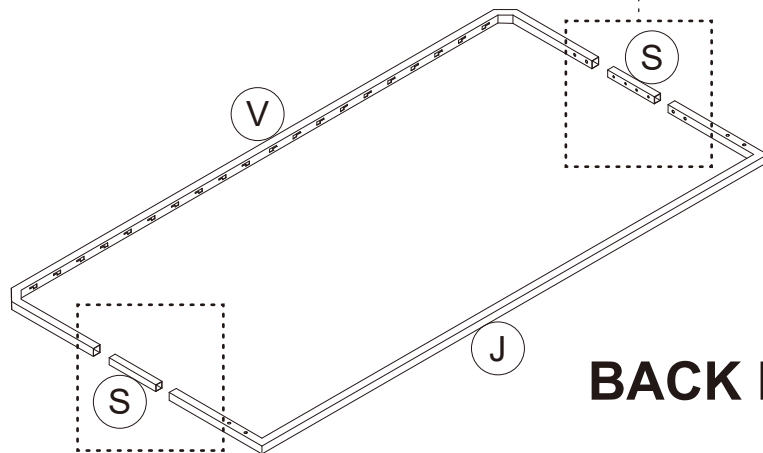
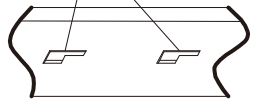
# Step 9

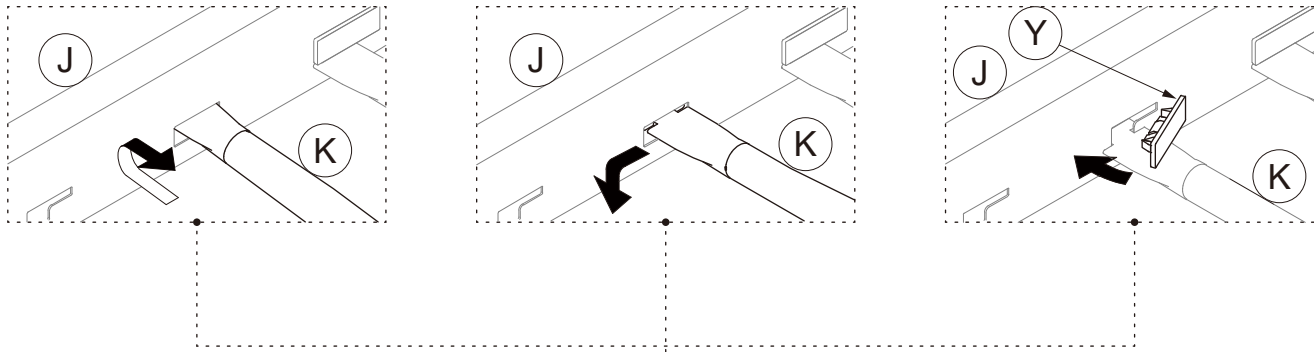
For **BACK FRAME**

Join **J** & **V** with **S** and fasten with **6**.



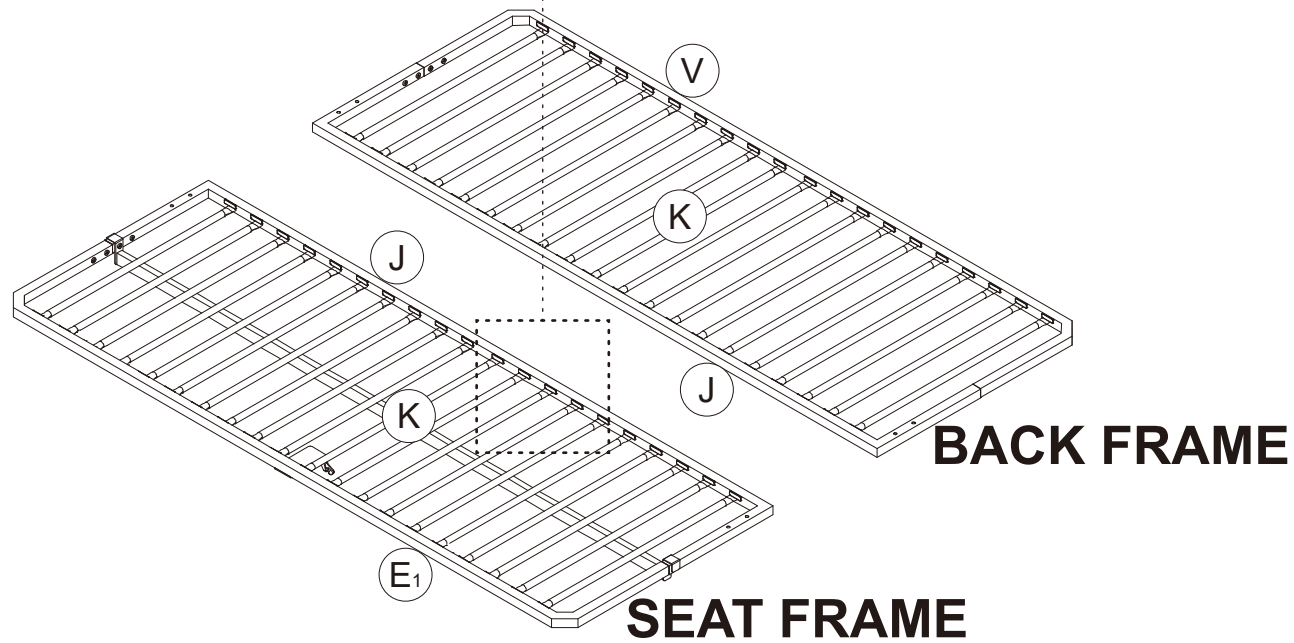
⚠ Wide side of the slot should be facing up !



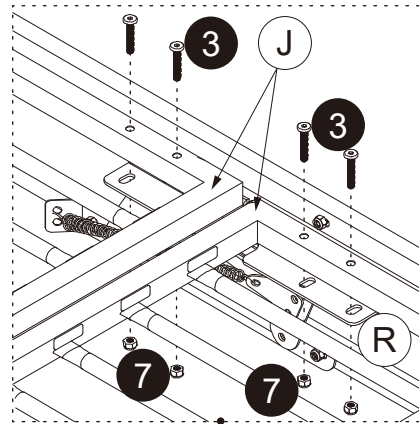


# Step 10

Insert **K** into **J**, **V** and **E<sub>1</sub>**, then lock **K** in-place with **Y**.

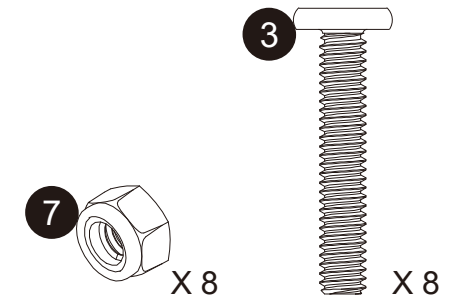
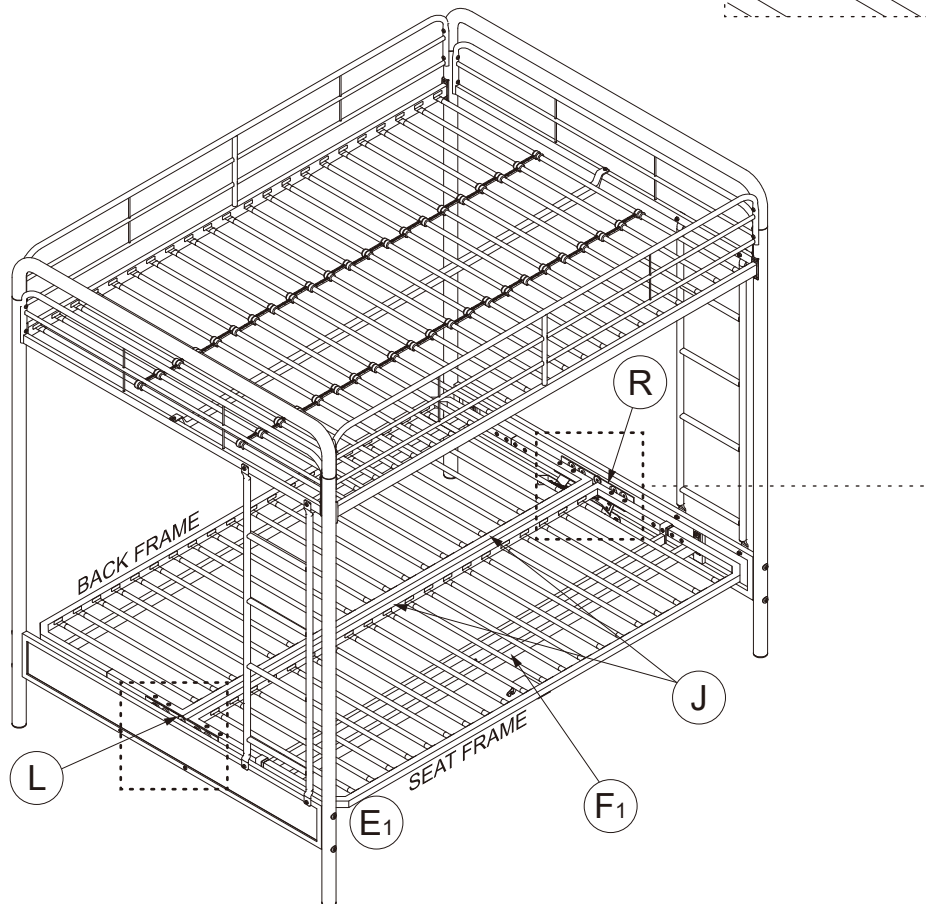


**⚠** In order to perfectly align the Locking Mechanism on part **E<sub>1</sub>** with the Pin on part **F<sub>1</sub>**, please do not completely tighten the bolts **3** for the **SEAT FRAME** until next step is completed.



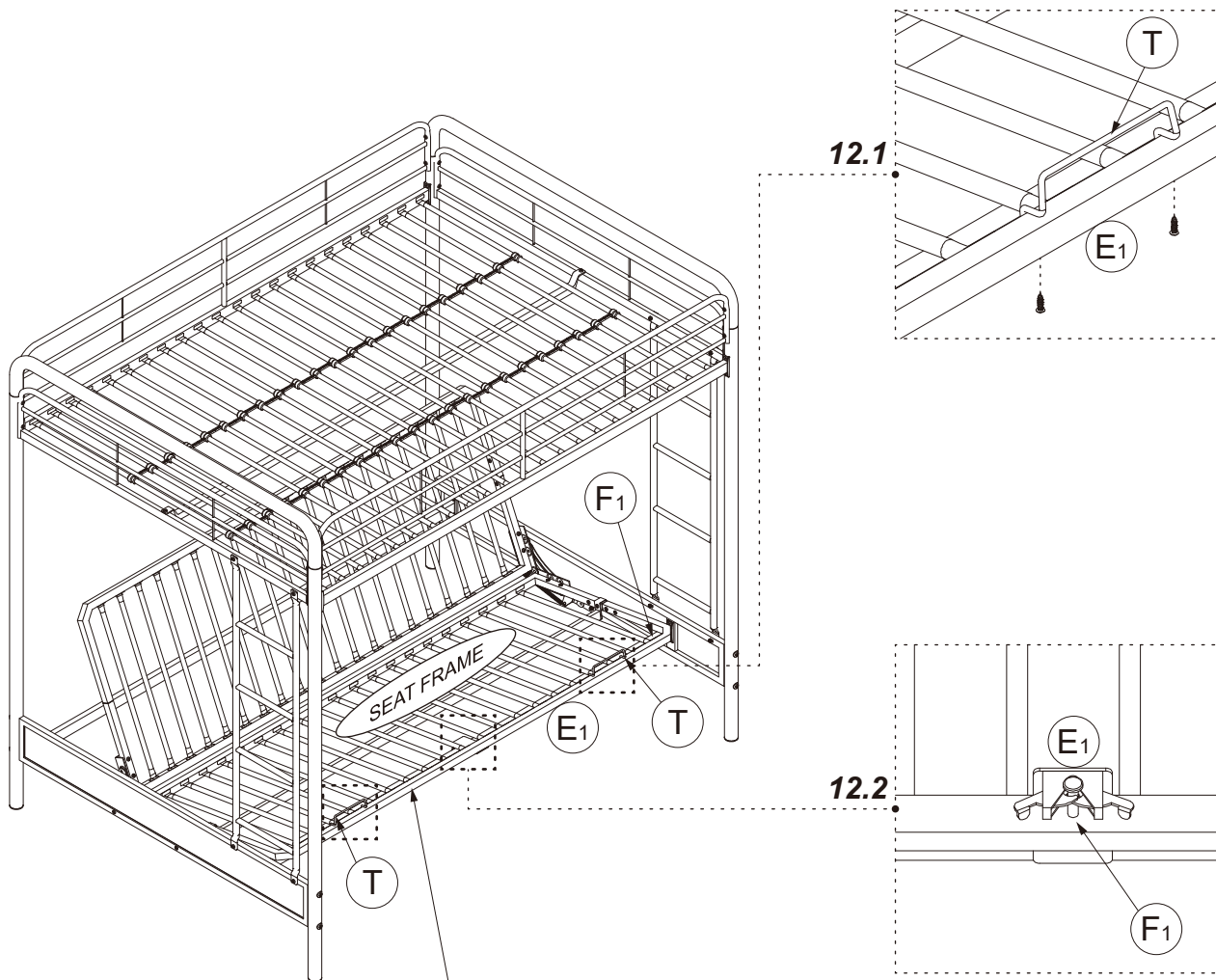
# Step 11

Attach J to L & R with the **3** and **7**.  
Ensure SEAT FRAME and BACK FRAME are correctly located as shown below.



# Step 12

**12.1** Attach **T X 2** to **E<sub>1</sub>** with **9** as illustrated;  
**12.2** Change from bed to futon position and lock the mechanism on part **E<sub>1</sub>** with the pin on part **F<sub>1</sub>** as shown, then completely tighten all bolts **3** on the Seat Frame.

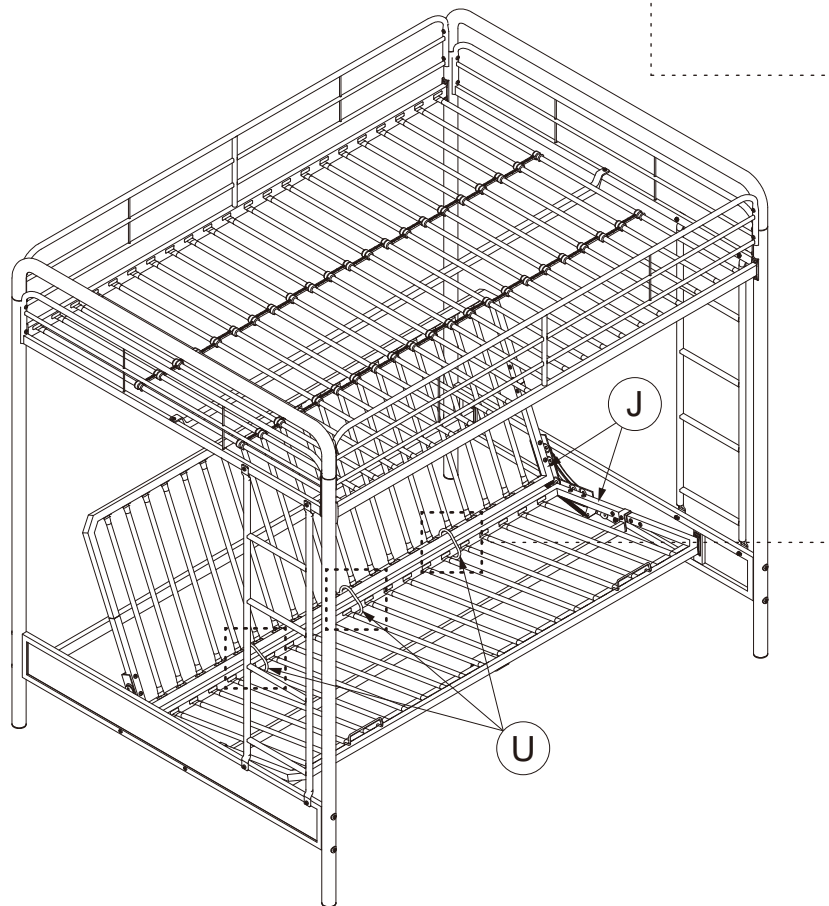
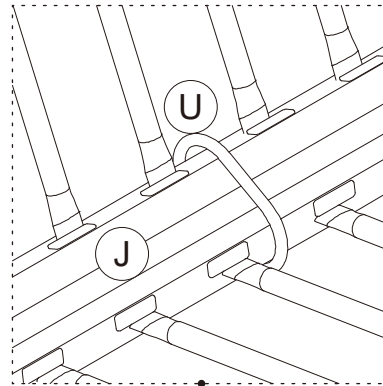
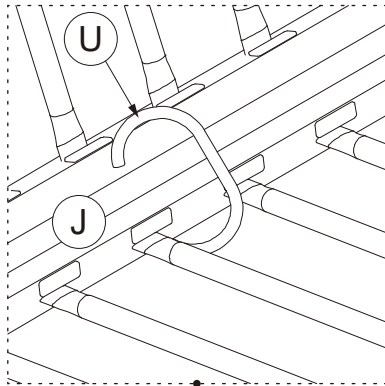


**!** To switch between bed and futon position, start from lifting the front of seat frame (where part **E<sub>1</sub>** is).

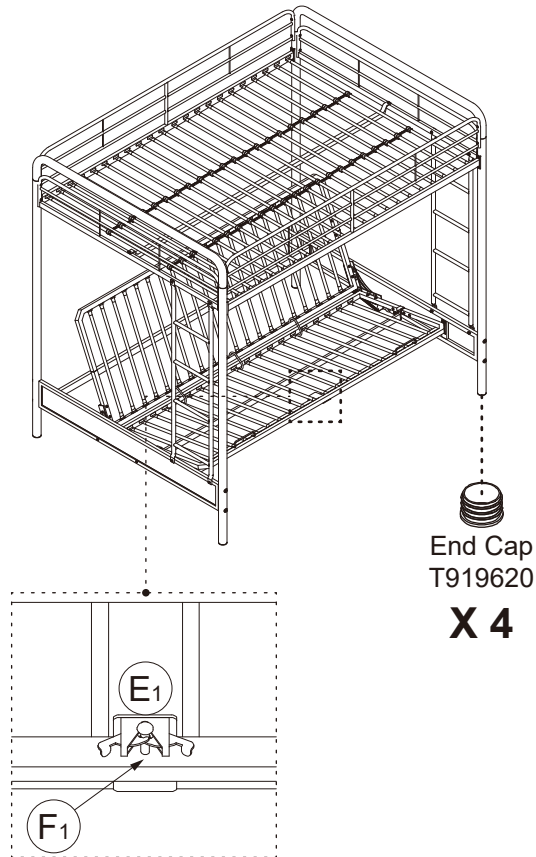


# Step 13

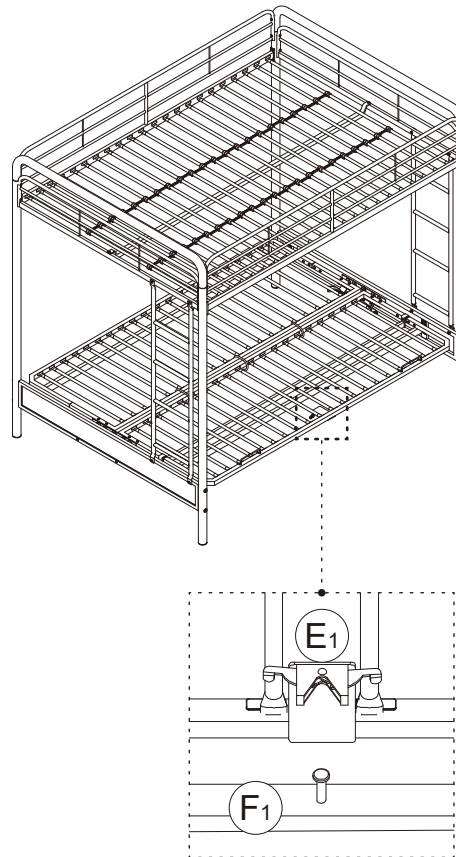
Attach **U** X 3 to parts **J** as shown.



**⚠ CAUTION:** This unit is intended for use only with the products and/or maximum weights indicated. Use with other products and/or products heavier than the maximum weights indicated may result in instability or cause possible injury.



For your safety, please ensure that the futon, while in the seated position, is locked as illustrated.



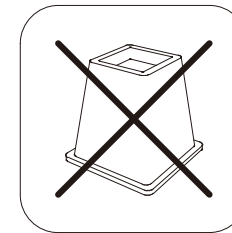
To convert from seated to sleeper, unlock the mechanism by pulling on the two levers simultaneously as illustrated.

**⚠** Weight Limit: 300 lbs / 136 kg for Upper Bed  
600 lbs / 272 kg for Lower Futon

That's it ! You've finished assembling your **Metal Bunk Bed** !

## Helpful Hints

- Move your new furniture carefully, with two people lifting and carrying the unit to its new location.
- Your furniture can be disassembled and reassembled to move.
- Clean the product with a soft damp cloth. DO NOT use harsh chemicals or abrasive cleaners.
- Some parts have been pre-assembled for this item.
- They are illustrated on this page and available for replacement.
- Check bolts and nuts periodically and tighten if necessary.
- (Only applied for bunk bed with a lower bunk) For the best comfort, we recommend a 6" height mattress to be used on lower bunk.

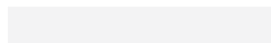
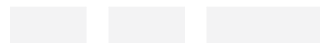


# 4758019(Negro)

## Cama de una litera de Metal doble-futón

Fecha de compra

Número de lote



¡Gracias por tu compra DHP !

### Información sobre la garantía

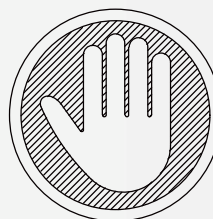
DHP garantiza que este producto está libre de defectos de material y de fabricación, comprometiéndose a corregirlos en caso de ser hallados. Esta garantía es válida por un año a partir de la fecha de compra original. Esta se limita únicamente a la reparación o reemplazo de partes defectuosas (no incluye la mano de obra).

Esta garantía no aplica para productos que hayan sido ensamblados incorrectamente, sujetos a algún tipo de maltrato o abuso, alteración o reparación. Responsabilidad por daños consecuentes está excluida en la medida de exclusión permitida por la ley. Esta garantía le brinda derechos legales e igualmente es posible que usted tenga otros derechos, los cuales pueden variar de Estado a Estado y de provincia a provincia.

Para obtener el servicio de garantía, debe presentar la factura original de su compra. Los componentes reparados o reemplazados están garantizados durante el periodo original de la garantía. Las partes defectuosas serán reparadas o reemplazadas sin cargo extra y sujetas a los términos y condiciones descritos anteriormente. Los términos y condiciones de la garantía limitada están sujetos a cambios sin previo aviso. Para conocer la política de garantía más reciente, visite [www.dhpfurniture.com](http://www.dhpfurniture.com).

### Precauciones

- Este producto está diseñado para uso doméstico y no para uso comercial.
- **ADVERTENCIA PARA NIÑOS PEQUEÑOS** - Este producto contiene componentes pequeños. Por favor asegúrese de que las piezas estén fuera del alcance de los niños.
- No utilice herramientas eléctricas para ensamblar su mueble. Este tipo de herramientas pueden rasgar o dañar las partes.



Preguntas, inquietudes, partes que faltan? **CONTACTE NUESTRO DEPARTAMENTO DE SERVICIO AL CLIENTE ANTES DE DEVOLVER EL PRODUCTO A LA TIENDA.**

Si le faltan piezas o las que se incluyen están dañadas, con mucho gusto le enviaremos sus piezas de reemplazo sin cargo extra.

Visite [www.dhpfurniture.com/spa/replacement-parts](http://www.dhpfurniture.com/spa/replacement-parts) , llame gratis al **1-800-267-1739** o chatea con nosotros al [www.dhpfurniture.com](http://www.dhpfurniture.com)



ESTE INSTRUCTIVO CONTIENE INFORMACION **IMPORTANTE** DE SEGURIDAD. POR FAVOR LEA Y GUARDE PARA SU REFERENCIA FUTURA.

### Lea antes de comenzar a ensamblar

- Llame a nuestro número gratuito si necesita asistencia.
- Trabaje en un área espaciosa y cerca de donde su producto será utilizado, preferiblemente sobre una alfombra o utilice el cartón del empaque para proteger su piso y su producto.
- **El número de personas recomendadas para el montaje de este producto es: 2** (sin embargo es recomendable contar con ayuda adicional).
- **Tiempo estimado de ensamble es 2 Hours.**
- Asegúrese de que todas las partes están incluidas. La mayoría de las partes están etiquetadas o selladas en los bordes.
- Lea cada paso cuidadosamente. Es muy importante que cada paso de las instrucciones sea realizado en el orden correcto. Si estos pasos no se siguen en secuencia, pueden ocurrir dificultades durante el ensamblado.

### ¡Contáctenos !


Para solicitar ayuda con el ensamblaje, identificación de partes, información del producto o simplemente ordenar otras partes, diríjase a:


- Chatea con nosotros : [www.dhpfurniture.com](http://www.dhpfurniture.com)
- [cs@dhpfurniture.com](mailto:cs@dhpfurniture.com)
- 1-800-267-1739
- DHP Servicios al Cliente  
12345 Albert Hudon, Suite 100, Montreal, Quebec, Canada, H1G 3L1

# Partes

Piezas de reemplazo, visite [www.dhpfurniture.com/spa/replacement-parts](http://www.dhpfurniture.com/spa/replacement-parts)

**IMPORTANTE:** La lista de números de piezas que aparece a continuación es exclusiva de su producto. Por favor, manténgalo a mano cuando solicite piezas de repuesto.


 Todo se incluye en **1 caja(s) grande(s)!**


 Antes de deshacerse de las cajas de cartón, asegúrese de que estén vacías. También confirme que ha recibido todos los componentes necesarios para el ensamblaje al compararlos con la tabla de piezas indicadas en la sección en inglés.

## Paquete de componentes

4758019(Negro)

# de paquete: 247580190CV

 **Nota:** Por favor no apriete completamente los pernos hasta que el ensamblaje sea completado, a menos de que se indique específicamente en cada paso de las instrucciones.

 Los tornillo(s), perno(s) que se utilizan en cada paso se muestran en tamaño real en la esquina inferior derecha de cada página.

NÚMERO DE PIEZA		
ETIQUETAS DE PIEZAS	DESCRIPCIÓN	4758019 (Negro)
A	Poste	T4758019010CV
B	Poste	T4758019020CV
E	Carril de guardia	T608900
E <sub>1</sub>	Marco de la cama inferior	T961210
F <sub>1</sub>	Tren delantero	T615980
G	Tren de protección lateral	T922120
H	Carril de seguridad superior	T605490
I	Tren de protección lateral	T4758019030CV
I <sub>1</sub>	B. los demás	T4758019040CV
I <sub>2</sub>	B. los demás	T4758019050CV
J	Marco de la cama inferior	T919770
K	Listones de inferior	T919780
L	Mecanismo mecanismo	T605570
M	Conector de poste	T4758019060CV
P	Parte superior	T919610
Q	Separadores de listones	T919490
R	Mecanismo mecanismo	T605560
S	Conector del marco inferior	T608960
T	Retención de colchones	T961180
U	Gancho	T391180
V	Marco de la cama inferior	T919760
W	Separadores de listones	T919480
X	Transversal Brace	T929010
X <sub>1</sub>	El refuerzo o el refuerzo.	T964010
Y	Taptapde de plástico	T392590
Z	Escalera de escalera	T614270



# Instrucciones

## Paso 1

- 1.1 Una la parte **M** con **A & B**.
- 1.2 Una la parte **I** con **A & B** con **6**.
- 1.3 Una la parte **I2** con **A & B** con **1** y **8**.

## Paso 2

- 2.1 Una la parte **M** con **A & B**.
- 2.2 Una la parte **I** con **A & B** con **6**.
- 2.3 Una la parte **I1** con **A & B** con **1** y **8**.

## Paso 3

- 3.1 Una la parte **G X 2** con **A X 2 & B X 2** con **5**, Una la parte **E** con **A, B & M** con **6**.
- 3.2 Una la parte **E X 2** con **G X 2** con **1**.

## Paso 4

- Una la parte **X1** con **I X 2** con **6**.
- Una la parte **H & F1** con **A & B** con **10**.

## Paso 5

Inserte **O** en **G** en la plataforma superior y bloqueen **O** en su lugar con **Y**.

## Paso 6

- 6.1 Presione **W** sobre **O** aproximadamente en el medio para la cama superior.
- 6.2 Presione **Q** en **W** alternando a la izquierda y a la derecha.

## Paso 7

- 7.1 Una la parte **Z X 2** con **I X 2** con **2** y **7**.
- 7.2 Una la parte **Z X 2** en **I1 & I2** con **4** y **7**.
- 7.3 Una la parte **L & R** con **I1 & I2** con **4** y **7**.

## Paso 8

- 8.1 Una la parte **X** con **J**.
- 8.2 Par **J, E1** y **S**, fijarla con **6**.

## Paso 9

Par **J, V** y **S**, fijarla con **6**.

## Paso 10

Una la parte **K** en **E1, J, V** con **Y**.

## Paso 11


Una la parte **J** en **L** y **R** con **3** y **7**.

## Paso 12

- 12.1 Una la parte **T X 2** con **E1** con **9**.
- 12.2 Poner la cama en la posición futón, a continuación, cerrando la taquilla con el pasador y apriete el Marco del Asiento a los mecanismos.

## Paso 13

Una la parte **U X 3** en su lugar en las ubicaciones.

 Límites de peso: 300 lbs / 136 kg para la cama superior  
600 lbs / 272 kg para el Futon inferior

## Consejos útiles

- Mueva sus muebles nuevos con cuidado, se requiere de dos personas para levantar y trasladar su producto a su nueva ubicación.
- Sus muebles DHP se pueden desmontar y volver a ensamblar en caso de mudanza.
- Algunas partes han sido pre-ensambladas en este producto. Se encuentran ilustradas en esta página y disponibles para reemplazo.
- Limpie el producto con un paño suave. NO utilice productos químicos o abrasivos de limpieza.
- Para la mejor comodidad, recomendamos una altura de 6" colchón para ser utilizado en la litera inferior.

# ADVERTENCIA

## Cama de una litera: doble-futón

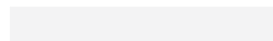
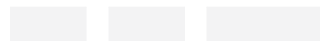
- **PELIGRO DE ESTRANGULAMIENTO** - Nunca cuelgue o ate en la cama artículos que no estén diseñados para usarlos con la cama; por ejemplo, pero no limitado a esto, ganchos, cinturones y cuerdas de saltar.
- Siga la información de las advertencias inscritas en la estructura de la litera superior y en el cartón. No retire la etiqueta de advertencias de la cama.
- La base del colchón está diseñada para soportar un colchón sin necesidad de usar una tabla para mantener la posición o un soporte con resortes.
- Siempre utilice el tamaño de colchón o de soporte de colchón recomendado, o los dos, para evitar la posibilidad de caídas o que el niño quede atrapado.
- Utilice únicamente colchones de **74"-75"** de largo y **53"-54"** de ancho en la litera superior y el colchón que es de **74"-75"** de largo y **52"-53"** de ancho en el futón inferior. Asegúrese de que el espesor del colchón no exceda **6"**. La superficie del colchón debe quedar por lo menos **5" (127 mm)** por debajo del borde superior del marco de la litera. Para su comodidad, le sugerimos un colchón con un grosor mínimo de **4"**.
- No permita que niños menores de 6 años duerman en la litera superior.
- Siempre utilice las barandas en los dos lados de la litera superior. Si la litera está colocada al lado de una pared, la baranda que cubre el lado largo de la litera debe ser colocada contra la pared para evitar que el niño quede atrapado entre la cama y la pared (esto se aplica a las literas con baranda larga de un solo lado).
- Verifique la cama periódicamente y asegúrese de que el cuadro, la escalerilla y otros componentes estén en la posición correcta, no estén dañados y todas las uniones estén bien ajustadas.
- No permita que los niños hagan payasadas sobre o debajo de la cama y prohíba que salten sobre ella.
- No utilice piezas de sustitución. Contacte con el fabricante o el distribuidor para obtener piezas para reemplazar.
- Las piezas de repuesto, incluyendo las barandillas adicionales, pueden obtenerse de DHP comunicándose con el servicio al cliente al **1- 800-267-1739**.
- El uso de una luz de noche sirve como medida de precaución para el niño que utiliza la litera superior.
- Se prohíbe el uso de colchones de agua o colchonetas de flotación.
- Siempre utilice la escalerilla para subir a la litera superior o bajar de ella.
- Prohíba que más de un niño suba a la litera superior.
- Conserve estas instrucciones para referencia futura.

# 4758019(Noir)

## Lit superposé en métal Plein plus de futon

Date d'achat

Numero de lot



**Merci d'avoir acheté un produit DHP !**

### Informations sur la garantie

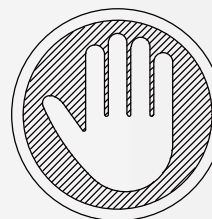
DHP garantit que ce produit est exempt de tout vice de matériaux et de fabrication et s'engage à remédier à un tel défaut. Cette garantie est valable un an à compter de la date d'achat initiale. Elle se limite uniquement à la réparation ou au remplacement des pièces défectueuses. La main-d'oeuvre nécessaire à l'assemblage n'est pas incluse.

Cette garantie ne s'applique pas aux produits qui ont été mal assemblés, qui ont été soumis à une utilisation abusive ou qui ont subi des modifications ou des réparations. Cette garantie vous confère des droits spécifiques légaux. Il se peut que vous bénéficiiez de droits additionnels car ceux-ci peuvent varier selon l'État ou la province.

Pour bénéficier du service de garantie, l'acheteur doit présenter la facture originale. Les composants réparés ou remplacés sont garantis jusqu'à la fin de la période de la garantie initiale uniquement. Les composants défectueux seront réparés ou remplacés sans frais, sous réserve des conditions décrites ci-dessus. Les termes et conditions de la garantie limitée sont susceptibles d'être modifiés sans préavis. Pour connaître la dernière politique de garantie, veuillez consulter le site [www.dhpfurniture.com](http://www.dhpfurniture.com).

### Précautions

- Ce produit est conçu pour un usage domestique et n'est pas destiné à des fins commerciales.
- **AVERTISSEMENT CONCERNANT LES JEUNES ENFANTS:** Ce produit contient des petits composants. S'il vous plaît assurez-vous qu'ils soient gardés loin d'eux.
- Ne pas utiliser d'outils électriques pour assembler votre mobilier. Ce type d'outils risque d'endommager les pièces.



**Des questions, des préoccupations ou des pièces manquantes? CONTACTEZ NOTRE SERVICE À LA CLIENTÈLE AVANT DE RETOURNER LE PRODUIT AU DÉTAILLANT.**

Si des pièces sont manquantes ou endommagées, nous expédierons volontiers vos pièces de rechange gratuitement.

Visitez [www.dhpfurniture.com/eng/replacement-parts](http://www.dhpfurniture.com/eng/replacement-parts), appelez sans frais au **1-800-267-1739** ou clavardez avec nous au [www.dhpfurniture.com](http://www.dhpfurniture.com).



**CE FEUILLET CONTIENT DES INFORMATIONS DE SÉCURITÉ IMPORTANTES. S'IL VOUS PLAÎT LIRE ET CONSERVER POUR RÉFÉRENCE ULTÉRIEURE.**

### Avant de commencer l'assemblage

- Si vous avez besoin d'aide, appelez notre service à la clientèle sans frais.
- Travaillez dans un endroit spacieux et près du lieu où l'unité sera utilisée, préférentiellement sur un tapis, ou sur un morceau de l'emballage, afin de protéger le plancher et le produit.
- **Nombre de personnes recommandées pour l'assemblage : 2** (cependant il est toujours préférable d'être assisté par une personne supplémentaire).
- **Temps estimé d'assemblage: 2 heures.**
- Assurez-vous d'avoir bien reçu toutes les pièces. La plupart de celles-ci sont étiquetées ou estampées sur leur côté non fini.
- Lire attentivement chaque étape avant de débiter. Il est très important que chaque étape de montage soit exécutée dans le bon ordre, sinon vous risquez d'éprouver de la difficulté à assembler votre meuble.

### Contactez-nous!


Besoin d'aide pour assembler, identifier des pièces, vous informer sur le produit, ou pour commander des pièces? Contactez-nous :


- Clavardezavec nous: [www.dhpfurniture.com](http://www.dhpfurniture.com)
- [cs@dhpfurniture.com](mailto:cs@dhpfurniture.com)
- 1-800-267-1739
- DHP Service à la Clientèle  
12345 Albert Hudon, Suite 100, Montréal, Québec, Canada, H1G 3L1

# Pièces

Pour des pièces de rechange, visitez [www.dhpfurniture.com/fre/replacement-parts](http://www.dhpfurniture.com/fre/replacement-parts)

**IMPORTANT:** La liste des références ci-dessous est propre à votre produit.  
Veuillez l'avoir sous la main lorsque vous appelez pour des pièces de rechange.


 *Tout dans 1 grande(s) boîte(s)!*


 *Avant de jeter les boîtes en carton, assurez-vous qu'elles soient vides. Vérifiez que vous avez reçu tous les composants nécessaires à l'assemblage en les comparant avec le tableau des pièces (illustrations disponibles dans la section en anglais).*

## Quincaillerie

4758019(Nior)

# de paquet: 247580190CV

 **Remarque:** Sauf indication contraire dans les instructions, ne pas resserrer complètement les vis et les boulons, jusqu'à ce que l'assemblage soit terminé.

 Les vis et boulons utilisés durant chaque étape sont illustrés en taille réelle au coin inférieur droit de la page.

LISTE DES PIÈCES		
ETIQUETAS DE PIEZAS	DESCRIPCIÓN	4758019 (Noir)
A	Poster	T4758019010CV
B	Poster	T4758019020CV
E	Rail de garde	T608900
E <sub>1</sub>	Cadre de lit inférieur	T961210
F <sub>1</sub>	Rail avant	T615980
G	Garde-corps latéral	T922120
H	Rail supérieur de sécurité	T605490
I	Garde-corps latéral	T4758019030CV
I <sub>1</sub>	Rail de garde inférieur	T4758019040CV
I <sub>2</sub>	Rail de garde inférieur	T4758019050CV
J	Cadre de lit inférieur	T919770
K	Lattes inférieures	T919780
L	Mechanism	T605570
M	Connecteur de courrier	T4758019060CV
P	Lamelles supérieures	T919610
Q	Entretoises de lamelles	T919490
R	Mechanism	T605560
S	Connecteur de cadre inférieur	T608960
T	Retenue de matelas	T961180
U	Crochet	T391180
V	Cadre de lit inférieur	T919760
W	Entretoises de lamelles	T919480
X	Entretoise transversale	T929010
X <sub>1</sub>	accolade	T964010
Y	Fiche plastique	T392590
Z	Echelle	T614270

# Instructions

## Étape 1

1.1 Attacher **M** à **A** et **B**.

1.2 Attacher **I** à **A** et **B** avec le **6**.

1.3 Attacher **I2** à **A** et **B** avec le **1** et **8**.

## Étape 2

2.1 Attacher **M** à **A** et **B**.

2.2 Attacher **I** à **A** et **B** avec le **6**.

2.3 Attacher **I1** à **A** et **B** avec le **1** et **8**.

## Étape 3

3.1 Attacher **G X 2** à **A X 2** et **B X 2** avec le **5**. Attacher **E** à **A** et **B** et **M** avec le **6**.

3.2 Attacher **E X 2** à **G X 2** avec le **1**.

## Étape 4

Attacher **X1** à **I X 2** avec le **6**.

Attacher **H** et **F1** à **A** et **B** avec le **10**.

## Étape 5

Insérez **O** dans **G** sur lit supérieur et verrouillez **O** sur place avec **Y**.

## Étape 6

6.1 Appuyez sur **W** sur **O** environ au milieu pour le lit supérieur.

6.2 Appuyez sur **Q** sur **W** alternant à gauche et à droite.

## Étape 7

7.1 Attacher **Z X 2** à **I X 2** avec le **2** et **7**.

7.2 Attacher **Z X 2** à **I1** y **I2** avec le **4** et **7**.

7.3 Attacher **L**, **R** à **I1** y **I2** avec le **4** et **7**.

## Étape 8

8.1 Attacher **X** à **J**.

8.2 Par **J** et **E1** et **S**, fixer avec la **6**.

## Étape 9

Par **J** et **V** et **S**, fixer avec la **6**.

## Étape 10

Attacher **K** à **J** et **V** et **E1** avec **Y**.

## Étape 11

Attacher **J** à **L** et **R** avec le **3** et **7**.

## Étape 12

12.1 Attacher **T X 2** à avec le **9**.

12.2 Mettre le lit en position de futon, puis verrouiller le casier avec la broche et serrer le Cadre du Siege aux mécanismes.

## Étape 13

Attacher **U X 3** aux locations exactes.



Limite de Poids: 300 lbs / 136 kg pour lit supérieur  
600 lbs / 272 kg pour Futon inférieur

## Conseils utiles

- Déplacez votre nouveau mobilier avec soin, nous recommandons de soulever et transporter le mobilier vers son nouvel emplacement à deux.
- Votre mobilier DHP peut être démonté et reassemblé pour faciliter les déménagements.
- Nettoyez le produit avec un chiffon doux. NE PAS utiliser de produits chimiques ou abrasifs.
- Certaines pièces ont été pré-assemblées pour ce produit. Elles sont illustrées sur cette page et disponibles pour le être remplacées..
- Pour le meilleur confort, nous suggérons d'utiliser un matelas de 6" d'épaisseur sur le lit inférieur.

# **AVERTISSEMENT**

## **Lit superposé: Plein plus de futon**

- **RISQUE D'ÉTRANGLEMENT** - Ne jamais placer ou suspendre des articles sur aucune partie du lit superposé qui ne sont pas conçus pour être utilisés avec ce lit; par exemple, mais n'étant pas limité à, des crochets, des ceintures, et des cordes à sauter.
- Suivez les informations sur les étiquettes d'avertissement apposées à l'extrémité de la structure du lit superposé et sur la boîte. Ne pas enlever l'étiquette d'avertissement apposée sur le lit.
- La plateforme du matelas est conçue pour supporter un matelas sans avoir besoin d'un support de matelas ou d'un sommier.
- Toujours utiliser la grandeur de matelas ou de support de matelas recommandée, ou les deux, afin de prévenir la possibilité de blessures ou de chutes.
- Utilisez uniquement des matelas de **74"-75"** de long par **53"-54"** de large sur le lit du haut et un matelas de **74"-75"** de long et de **52"-53"** de large sur le futon inférieur. Assurez-vous que l'épaisseur des matelas n'excède pas **6"**. La surface du matelas doit arriver au moins à **5" (127 mm)** sous le bord supérieur des barrières. Pour votre confort, nous suggérons une épaisseur de matelas minimale de **4"**.
- Ne pas permettre aux enfants de moins de **6** ans d'utiliser le lit du haut.
- Toujours installer les barrières sur les deux longs côtés du lit du haut. Si le lit superposé est placé près d'un mur, la barrière qui couvre la pleine longueur du lit doit être placée contre le mur pour éviter que l'enfant reste coincé entre le mur et le lit (applicable pour les lits superposés avec des barrières pleine grandeur sur un côté).
- Vérifiez périodiquement et assurez-vous que la barrière, l'échelle et les autres composants sont dans la bonne position, exempts de dommages, et que toutes les connexions sont bien serrées.
- Interdire les jeux brutaux sur ou sous le lit et interdire de sauter sur le lit.
- Ne pas substituer de pièces. Contactez le fabricant ou le revendeur pour des pièces de remplacement.
- Les pièces de rechange, y compris les garde-corps supplémentaires, peuvent être obtenues auprès de DHP en contactant le service à la clientèle au **1-800-267-1739**.
- L'utilisation d'une veilleuse procure une sécurité supplémentaire pour un enfant utilisant le lit du haut.
- L'utilisation de matelas d'eau ou de matelas d'air est interdite.
- Toujours utiliser l'échelle pour monter ou descendre du lit supérieur.
- Interdire plus d'une personne sur le lit du haut.
- Conservez ces instructions pour référence ultérieure.